

# AP 09



**For Ordering Information, contact:**  
**Wood Tech Enterprises, Inc.**  
**1-800-Tooling (866-5464)**  
**or 1.828.628.4414**  
**Fax: 1.828.628.4490**

## Technical data

Housing:	composite material, with reduced interference susceptibility
Colour of housing:	black
Weight:	approx. 250 g
Hollow shaft [ø mm]:	20 <sup>H7</sup> friction bearing
Speed (on shaft):	
(mains supply)	≤ 500 rpm
(battery-powered)	≤ 300 rpm
Working temperature:	0 to + 50 ° C
Storage temperature:	-20 to + 80 ° C.
Humidity:	0 to 95%, condensation not permitted
Vibration allowed:	10 g (5 to 150 Hz) accord. to DIN IEC 68-2-6 20 g (100 to 2000 Hz)
Shock allowed:	30 g (15 ms) accord. to DIN IEC 68-2-27
Protection:	IP50 (option IP54)

Absolute Electronic Indicator AP09 is used for applications requiring automatic data transmission of machine parameters via interface to a PC or control. Position and target values are indicated in the easily read LED-display. Easy mounting via hollow shaft plus the battery-backed-up display allow a fast and safe machine set up.

## Features

- LED display
- Absolute, battery-backed-up
- BUS-interface (RS485)
- Programmable parameters: pitch, calibration value, counting direction, target / position value display
- Multifunction key which is programmable as reset, incremental measurement or target value

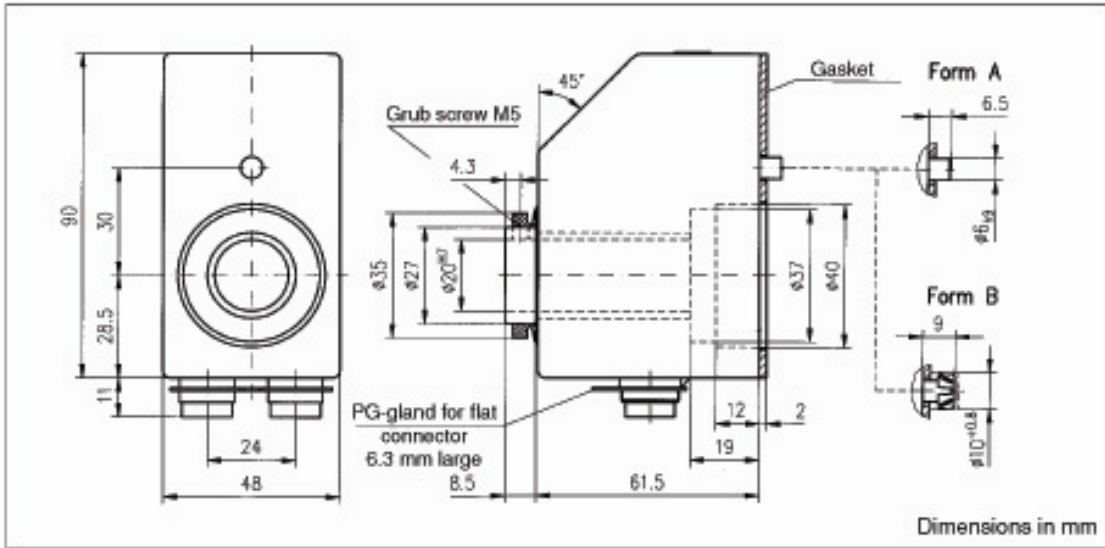
## Accessories

- Programming software for PC
- Gateways for different BUS-systems (eg. CAN-BUS, Interbus-S, Profibus)
- BUS-terminating plug (BAS09).

## Electrical data

Supply voltage:	24 V d.c. +/-20 %, with built-in polarity protection
Power consumption:	< 0.5 W
Display:	5 x 7-segment-LED, 8 mm
Max. counting range:	± 6900 revolutions
Max. display range:	- 19999 to + 99999
Interface:	RS485; 115.2 kBaud
Connection:	2 circular connector
Key functions:	address / zero point / incremental measurement / target value
Parameters:	programmable via interface
Battery:	Lithium 3 V battery type CR 17335, battery life approx. 6 years
Noise immunity:	noise immunity class 3, accord. to IEC 801-3
Test mark:	CE-sign
Resolution:	≤ 600 steps/revolution

# AP 09



Display	Version / mounting position	Reducing sleeve	Axial seal
		 $\phi d^* = 8, 10, 12, 14, 16, 18$	 See mounting instructions!

Connection type / cable length (in m)		Pin connection		
		PIN	Signal	Colour
		1	screen (PE)	-
		2	screen (PE)	-
		3	0 V	grey
		4	+UB	brown
		5	DÜ-A	green
		6	DÜ-B	yellow
		7	screen (PE)	-

For Ordering Information, contact:  
 Wood Tech Enterprises, Inc.  
 1-800-Tooling (866-5464)  
 or 1.828.628.4414  
 Fax: 1.828.628.4490

